

Ultrapure ALG 35 S - 375 S

Breathing Air System with adsorption dryer, CO and CO₂ – NO_x – and SO₂ precipitation, pre- and afterfilters and automatic condensate drain.



The Ultrapure breathing air systems are desiccant dryer type purification systems to supply breathing air in compliance with all relevant international standards and medical prescriptions.

This is guaranteed by a multistage purification:

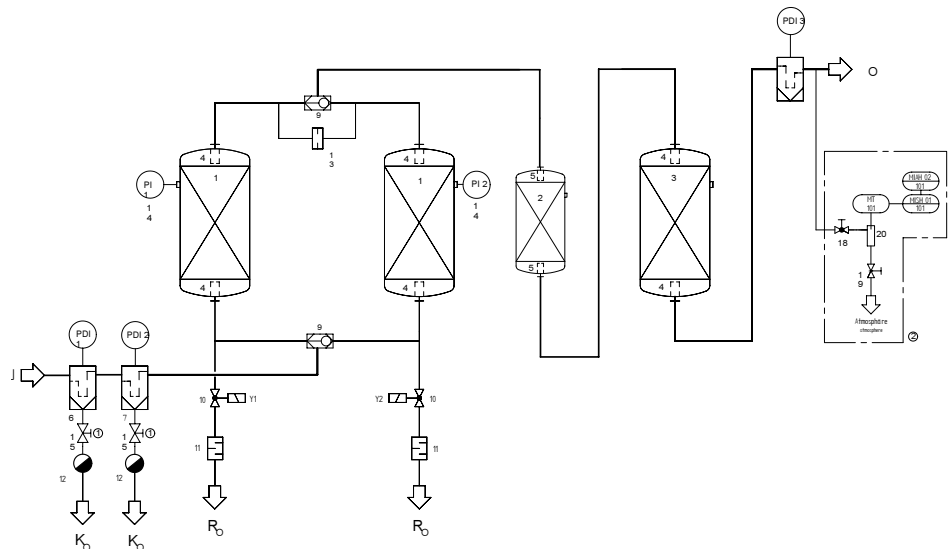
At the inlet (J) compressed air reaches a two stages filter combination (6,7). In this stage the air is separated from particles and condensate.

The condensate is drained off the system via the electronic condensate drain (12).

The following desiccant dryer reduces the water vapour content of the compressed air down to a pressure dew point of –40 °C (equivalent to a remaining water content of 0,11 g/m³). In the following processing stages (SP, AK, OX) the CO₂ of below 500 ppm of the content the content of SO₂ is reduced to a level below 1 ppm and the content of NO_x below 2 ppm.

In addition to that oil vapour, hydrocarbon, tastes and odours are held back in the AKstage up to a residual content below 0,003 mg/m³. In the OX-stage the existing CO is transformed into CO₂ through a catalytic reaction. In this way the CO content is reduced to < 5 ppm.

In the after filter (dust filter) possible abrasion of the absorber is removed.



ALG	Nominal flow Inlet m ³ /h (1 bar, 20 °C)*	Reg. Air flow average m ³ /h (1 bar, 20 °C)	Air outlet (min) m ³ /h (1 bar, 20 °C)	Loss of heat new mbar	Prefilter (afterfilter) MF, SMF (PE)
35 S	35	5.3	28.5	180	04/10
80 S	80	12	65.2	190	05/20
100 S	100	15	81.6	220	05/25
150 S	150	23	121.7	320	05/25
225 S	225	34	183.2	220	07/30
300 S	300	45	244.7	280	07/30
375 S	375	56	306.1	350	07/30

* Related to 1 bar (abs) and 20 °C at intake of compressor and 7 bar (g) and 35 °C inlet temperature

Ultrapure ALG 35 S - 375 S

Features:	Benefits:
Breathing air package incl. absorption dryer, CO, CO ₂ -, NO _x and SO ₂ precipitation, pre- and after filter and automatic level-controlled condensate drain	Turnkey system, no additional installation required, all components from one hand, technically perfectly matched to each other
Guaranteed and validated separation efficiency	Breathing air quality in compliance with all relevant international standards, e.g. Pharmacopée Européenne; DIN EN 12021 (DIN 3188); EN 737-3; BS4275; ANSI/CGA G.7.1; Z180, 1 M85; AS2299-1979; NZL5813
All dryers are in cabinet construction	Optimum protection against mechanical damage and against dirt
Display of the operating status by LED	High operating safety, since all operating status can be detected easily at any time
Intermittend operation standard	Link between dryer and compressor possible on central applications, therefore saving of compressed air
Optimal adaptation and generous dimensioning of the components	Long lean-times of the processing stages, low differential pressure of the plant; result: low operation costs

Residual content at standard entrance conditions	
Particles	< 1 µm
Oil (fluid phase)	< 0,01 mg/m ³
Oil vapour and hydrocarbon	< 0,003 mg/m ³
Oil vapour	DTP -40°C (= 0,11 g/m ³)
CO ₂	< 500 ppm
CO	< 5 ppm
SO ₂	< 1 ppm
NO _x	< 2 ppm
Tastes and odours	free of tastes and odours

Sizing:													
Operating pressure bar (g)	4	5	6	7	8	9	10	11	12	13	14	15	16
Correction value Overpressure (f _p)	0.63	0.75	0.88	1.0	1.12	1.25	1.38	1.50	1.63	1.75	1.88	2.0	2.13
Entrance temperature °C	20	25	30	35	40	45	50						
Correction value Temperature (f _T)	1.1	1.1	1.1	1.0	0.8	0.7	0.5						
<p>Example: $\dot{V}_{nom} = 50 \text{ m}^3/\text{h}$, Inlet temperature = 30°C, Operating pressure = 10 bar (g),</p> $\dot{V}_{corr} = \frac{\dot{V}_{nom}}{f_p \cdot f_T}$ $\dot{V}_{corr} = \frac{50 \text{ m}^3/\text{h}}{1,38 \cdot 1,1} = 32,94 \text{ m}^3/\text{h}. \text{ Calculated dryer size: ALG 35 S}$													

Product description:
Ultrapure ALG-S Complete processing system for breathing air, incl. adsorption dryer, CO ₂ -, NO _x - and SO ₂ precipitation, pre-and afterfilter and automatic level controlled condensate drain

Medium:
Compressed air

Operation pressure:
min. 4 bar (g), max. 16 bar (g)

Medium temperature:
max. +50 °C

Ambient temperature:
min. +4 °C, max. +50 °C

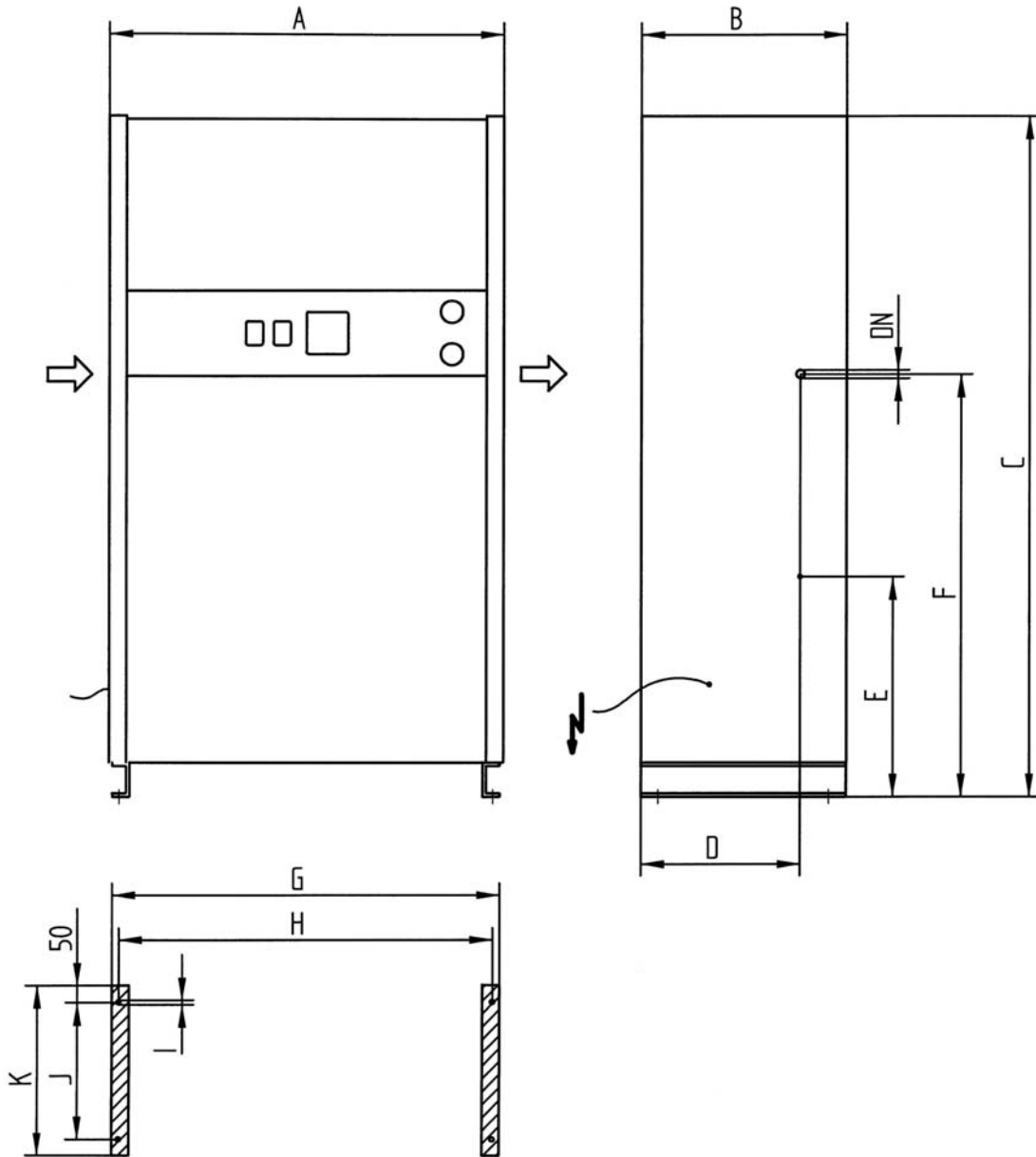
Power Supply:
230 V/ 115 V AC/ 50 – 60 Hz, 24 V DC

Power consumption:
approx. 40 W

Pressure vessel – design, manufacture, testing:
Absorber: acc. to 87/404/EEC Filter: acc. to 97/23/EC

Declaration of conformity:
acc. to 73/23/EEC

Ultrapure ALG 35 S - 375 S



ALG	DN "	A mm	B mm	C mm	D mm	E mm	F mm	G mm	H mm	I mm	J mm	K mm
35 S	G 1/2	650	340	1060	255	310	700	640	620	6.5	215	315
80 S	G 3/4	940	450	1610	315	415	900	920	880	13	350	450
100 S	G 1	940	450	1610	315	415	900	920	880	13	350	450
150 S	G 1	1140	600	1980	465	535	1125	1120	1080	13	500	600
175 S	G 1	1140	600	1980	465	535	1125	1120	1080	13	500	600
225 S	G 1 1/2	1140	600	1980	465	535	1125	1120	1080	13	500	600
300 S	G 1 1/2	1580	700	2190	530	660	1250	1560	1520	13	600	700