

Cyclone separator Ultradri® SG-Z

The steel cyclone separator is designed for the purification of compressed air and gases, especially for removing free floating water.

Product description:

The SG-Z cyclone separator was designed for the purification of air and other gases in an industrial range of applications. The housings with construction swirl vane offer, low differential pressures at high flow rates. The SG-Z is available in a superplus version, where it will be supplied with an electronically controlled zero-loss drain. In this product series 6 different housings are available ranging from a volume flow of 1650 to 15000 m³/h (related to 7 bar (g)).

Features:

The swirl vane starts the compressed air rotating. Caused by the centrifugal force the aerosols and particles are retained on the wall of the filter bowl.

To prevent aerosols from being carried over from the collecting point, an extra battle plate is installed.

The SG-Z cyclone separator conforms to the requirements of the European directive 87/404/EG for pressure vessels.



Technical data

Materials:	
Housing	Steel, EC-type approval
electrically resp. electronically controlled drain	Plastic and Aluminium

Maximum operating pressure:	
1650 - 7500	16 bar
10500-15000	10 bar

Maximum operating temperature:
+ 1°C / +65°C

Surface finish:
Polyester resin coating

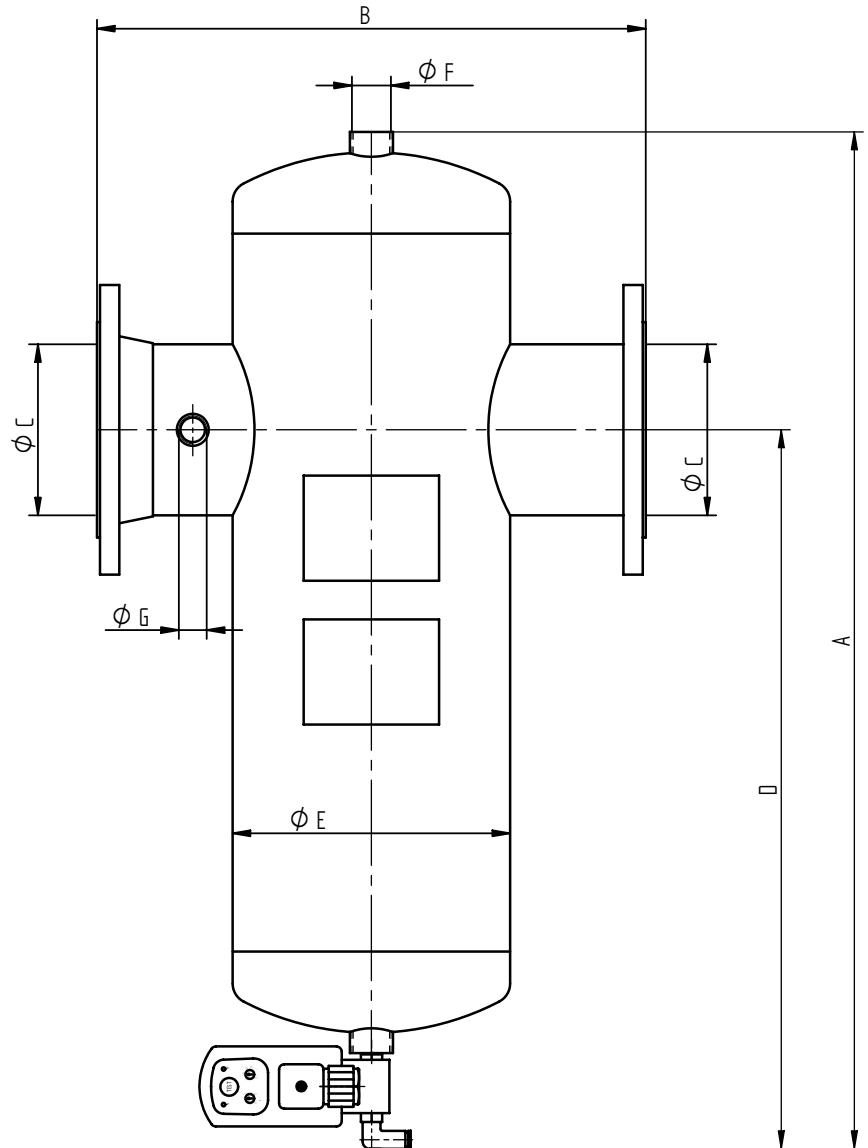
Connection IN / OUT:	
1650-7500	DN 80-DN 200 acc. to DIN 2633
10500-15000	DN 200-DN 300 acc. to DIN 2576

Retention rate:
99% related to 10 µm

Cyclone separator SG-Z 1650-15000

Condensate drain	
1650-15000	UFZ

Max. working pressure:	
1650-7500:	16 bar
10500-15000:	10 bar
Test pressure:	
1650-7500:	24 bar
10500-15000:	15 bar
Max. working temperature:	+1°C / +65°C
Material:	carbon steel
Paint coat:	polyester resin coating

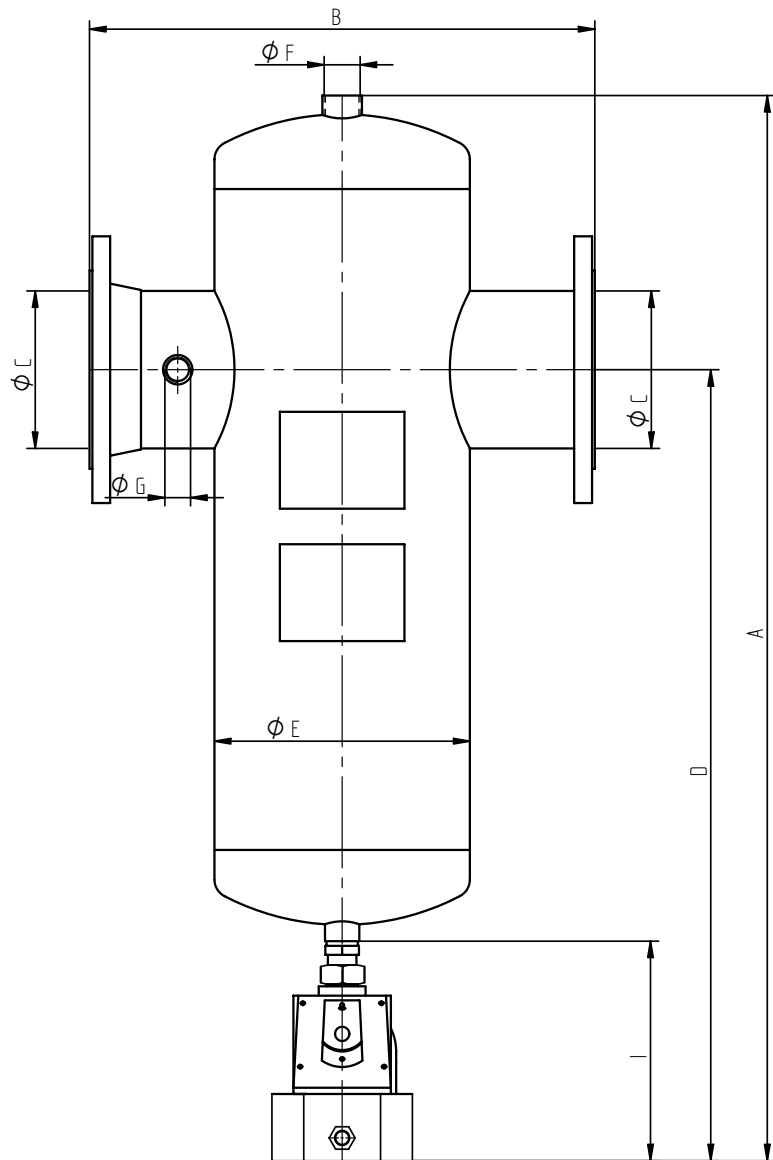


Housing size	Volume (l)	Weight (kg)	A mm	B mm	C	D mm	E mm	F mm	G
1650	12,5	24	750	380	DN 80	570	168.3	G 1	G ½
2750	28	48	900	440	DN 125	690	219.1	G 1	G ½
5000	52	70	1065	540	DN 150	815	273.0	G 1	G ½
7500	111	104	1305	650	DN 200	990	355.6	G 2	G ½
10500	280	174	1665	800	DN 250	1285	480.0	G 2½	G ½
15000	438	255	1995	900	DN 300	1485	560.0	DN 100	G ½

Cyclone separator SG-Z 1650-15000 SP

Condensate drain	
1650-15000	UFM-T 100

Max. working pressure:	
1650-5000:	16 bar
7500-15000:	10 bar
Test pressure:	
1650-5000:	24 bar
7500-15000:	15 bar
Max. working temperature:	+1°C / +65°C
Material:	carbon steel
Paint coat:	polyester resin coating



Housing size	Volume (l)	Weight (kg)	A mm	B mm	C	D mm	E mm	F mm	G	H
1650	12,5	24	925	380	DN 80	745	168.3	G 1	G ½	240
2750	28	48	1075	440	DN 125	865	219.1	G 1	G ½	240
5000	52	70	1240	540	DN 150	990	273.0	G 1	G ½	240
7500	111	104	1495	650	DN 200	1180	355.6	G 2	G ½	255
10500	280	174	1855	800	DN 250	1475	480.0	G 2½	G ½	255
15000	438	255	2185	900	DN 300	1675	560.0	DN 100	G ½	255