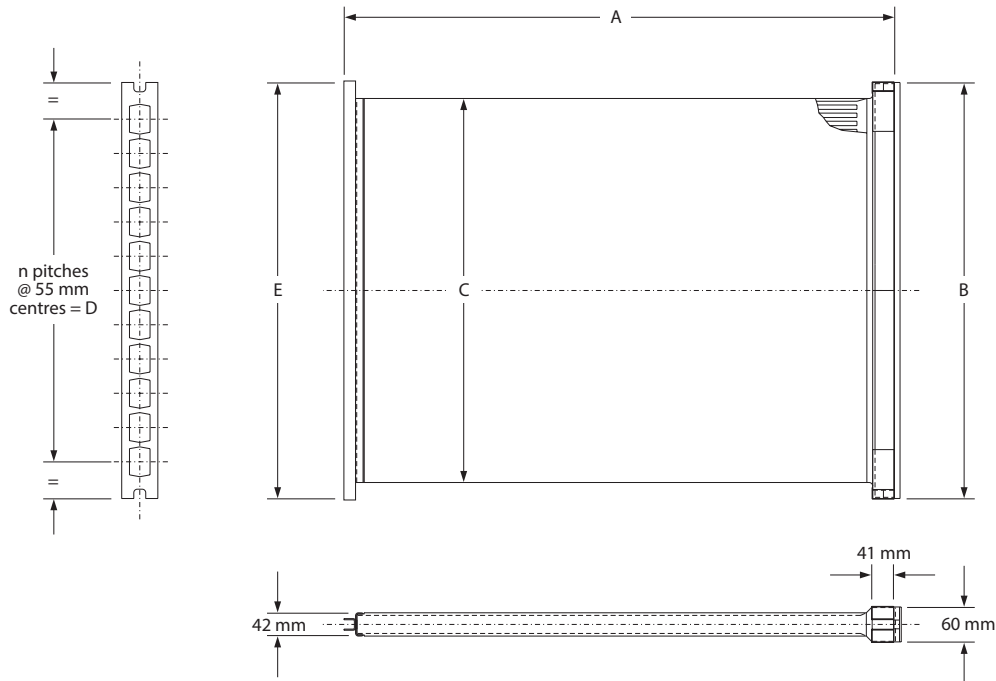




Donaldson  
FILTRATION SOLUTIONS

## DATA SHEET

### Replacement Elements Panels – Herding HSL



#### SPECIFICATION

Element type	Dimensions					Surface n (qty)	area (m <sup>2</sup> )
	A (mm)	B (mm)	C (mm)	D (mm)	E (mm)		
HSL 900/5	948	317	265	220	325	4	1.20
HSL 900/8	948	496	440	385	500	7	1.90
HSL 900/12	948	716	660	605	720	11	2.30
HSL 900/18	948	1046	990	935	1050	17	4.70
HSL 1200/8	1258	496	440	385	500	7	2.60
HSL 1200/12	1258	716	660	605	720	11	4.00
HSL 1200/18	1258	1046	990	935	1050	17	6.30
HSL 1500/8	1553	496	440	385	500	7	3.30
HSL 1500/12	1553	716	660	605	720	11	5.00
HSL 1500/16*	1553	953	880	825	940	15	6.97
HSL 1500/18	1553	1046	990	935	1050	17	7.90

Elements are dirty air side mounted.

\*Header design not as illustrated

#### Media alternatives:

n Sintered Polyethylene

n Antistatic Sintered Polyethylene

Humberstone Lane  
Thurmaston  
Leicester LE4 8HP  
England  
Tel +44 (0)116 269 6161  
Fax +44 (0)116 269 3028  
Email: IAF-uk@donaldson.com

Research Park Building No. 1303  
Interleuvenlaan 1  
B-3001 Leuven (Heverlee)  
Belgium  
Tel +32 (0)16 383 970  
Fax +32 (0)16 383 938  
Email: IAF-europe@donaldson.com

Publication 421-0944-GB • Rev. 06 • 0215

Donaldson reserves the right to change or discontinue any model or specification at any time and without notice.

[www.donaldson.com](http://www.donaldson.com)