

Filter Housing AG Superplus

The aluminium superplus filter housings with economizer and electronically controlled drain are designed for the purification of compressed air and gases. Due to the modular design of the housings different filter elements can be used.

Product Description:

AG superplus housings are designed for the purification of compressed air and gases in an industrial operation. The housings are made out of three parts and due to an optimized construction offer low differential pressures at high flow rates and as a standard equipped with an economizer and an electronically controlled drain. A multitude of various housings allow to match the requirements of the application, e.g. the compressor size.

This product series offers 14 different housings ranging from a volume flow of 1080 m³/h to 38400 m³/h (related to 7 bar (ü) and 20°C).

The AG superplus housings conforms to the requirements of the European directive 97/23/EG for pressure vessels.



Technical Data

Features:	Benefits:
Housing made out three parts	Installation and maintenance
Acoustic alarm signal	Maximum safety
Optimized housing construction for best flow velocity	Determines the cost optimum point of time to exchange the filter element
Economizer with integrated microprocessor	Determines the cost optimum point of time to exchange the filter element

Materials:	
Filter housing	Aluminium die cast resp. mold cast
Screw locking ring with acoustic warning signal	Aluminium
Economizer, differential pressure gauge	Plastic
Electronically controlled drain	Aluminium die cast and plastic
Sealing	Parting compound free, O-ring made of Perbunan

Maximum operating pressure:	
0002 - 0288	16 bar

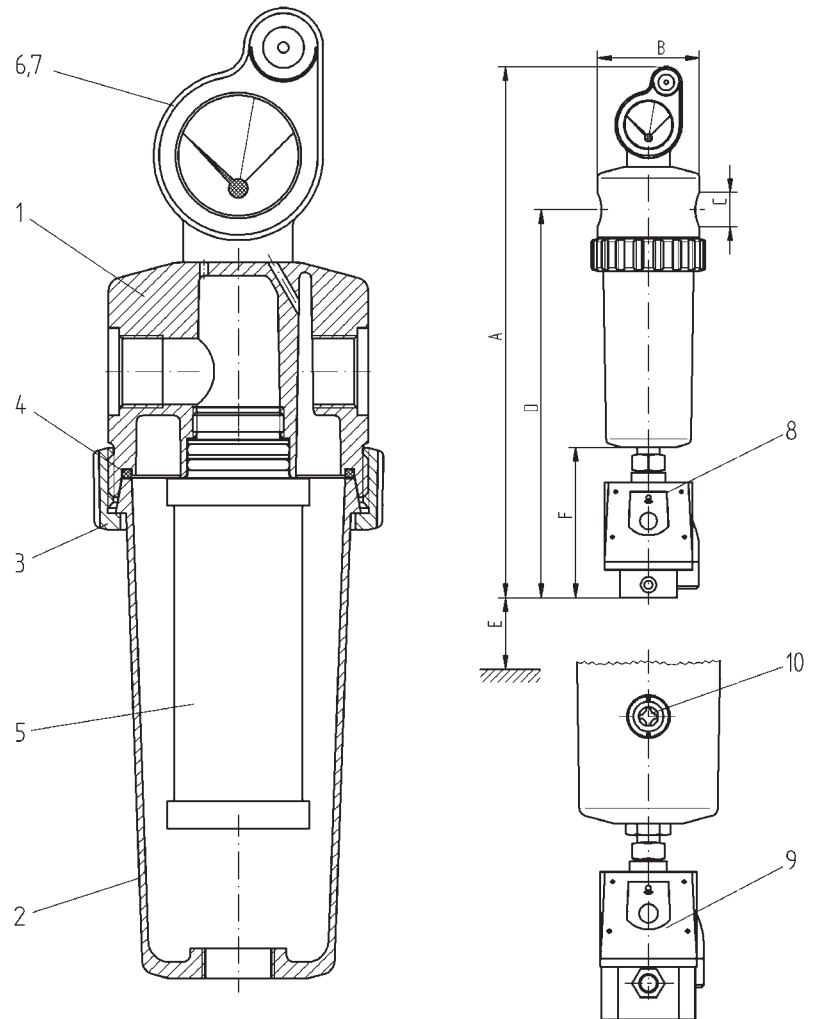
Surface finish:
Polyester resin coating

Maximum operating temperature:
+ 1°C / +65°C

Connection:
1/4" to 3" BSP

Industrial filter AG 0002-0288 SP

Pos.	Piece	Description
10 0108-0288	1	sight glass R 1"
9 0192-0288	1	drain UFM-T 20
8 0048-0144	1	drain UFM-T 1
8 0002-0036	1	drain UFM-T 05
7 0048-0288	1	economizer NG 80
6 0002-0036	1	economizer NG 50
5	1	filter element
4	1	housing O-ring
3	1	screw locking ring
2	1	lower housing bowl
1	1	upper housing bowl



Maximum operating pressure:	16 bar
Test pressure:	22.88 bar
Maximum operating temperature:	+1°C / +65°C
Design-temperature:	120°C
Material:	AG 0002 - 0036 EN AC-AISI 12 (Fe) AG 0048 - 0288 EN AC-AISI 7 Mg 0.3
Paint coat:	polyester resin coating

Classification acc. to 97 / 23 / EG for fluids group 2	
AG 0002 - 0036	Art. 3, par. 3
AG 0048 - 0192	Cat. I
AG 0288	Cat. II

Housing size	Volume (l)	Weight* (kg)	A mm	ø B mm	C	D mm	E mm	F mm	Element size
0002	0.35	1.8	420	70	G ¼	305	75	140	02/05
0004	0.35	1.8	420	70	G ⅜	305	90	140	03/05
0006	0.5	2.3	475	80	G ⅜	335	90	140	03/10
0009	0.5	2.3	475	80	G ½	335	120	140	04/10
0012	0.9	2.7	495	95	G ½	360	120	140	04/20
0018	0.9	2.7	495	95	G ¾	360	150	140	05/20
0027	1.4	3.0	570	110	G 1	425	150	140	05/25
0036	1.4	3.0	570	110	G 1¼	425	200	140	07/25
0048	4.5	7.3	730	150	G 1½	530	200	140	07/30
0072	4.5	7.3	730	150	G 2	530	280	140	10/30
0108	6.0	10.4	865	160	G 2	690	450	155	15/30
0144	7.5	13.0	1005	180	G 2½	820	580	155	20/30
0192	9.7	14.1	1280	180	G 3	1070	850	155	30/30
0288	1,0	20.4	1315	210	G 3	1105	850	155	30/50

* without filter element