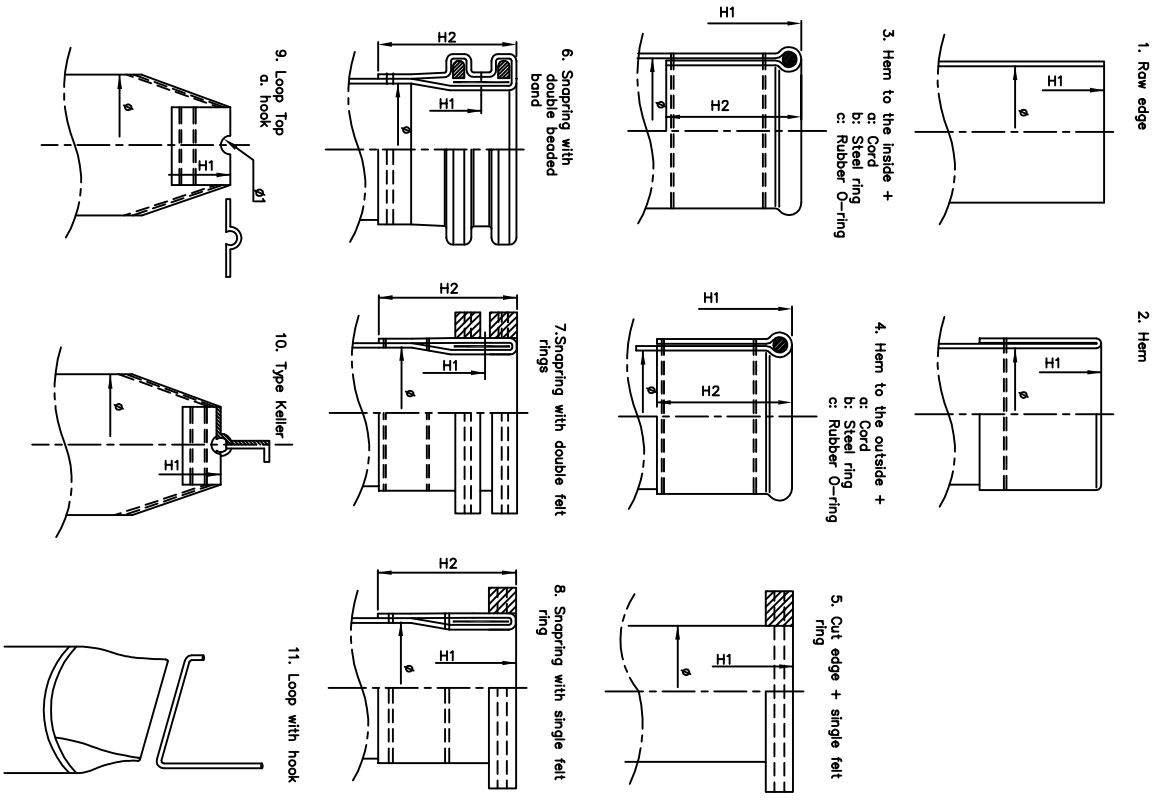
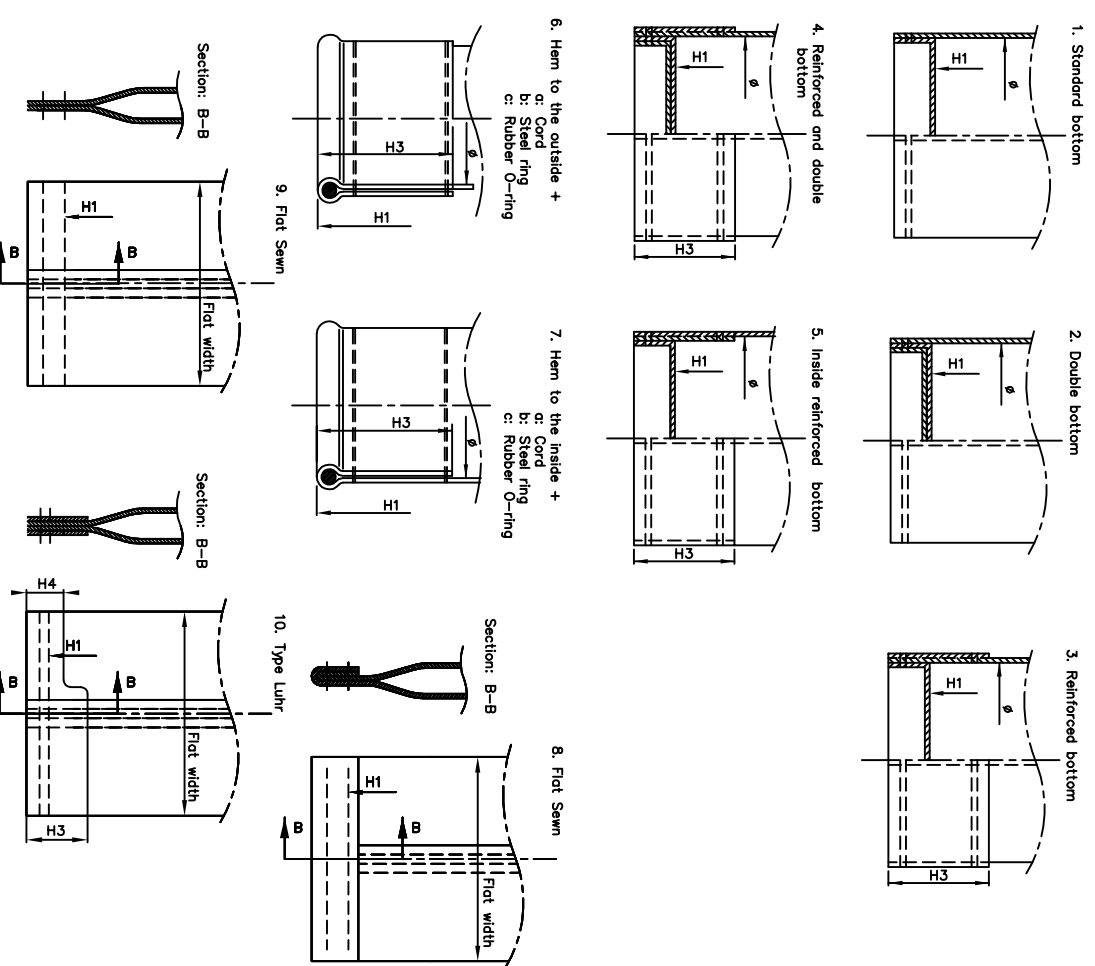


# TOP CONSTRUCTION



# BOTTOM CONSTRUCTION



8	7	6	5	4	3	2	1
REV.	ZONE	ECO NUMBER	REVISIONS	APP.	DATE		

LIMITATION:		RELEASE N°		TITLE:	
MATERIAL:		PROD. DATE		TUBULAR BAG	
PROD. CODE:		EXP. N°		NUMBER:	
REF. N°:		EXP. DATE		729-0081	
USED ON:		DR. TOG 18/03/05		REVISION:	
DO NOT SCALE		SCALE:		0	
TOLERANCES		SHEET: 1 OF 2		SIZE	
± 0,2		CHK.		A3	
± 0,5		DESIGN CONTROL:		DRAWING LOCATION:	
± 1,0		c/c AZ290081-R00		B - 3001 Leuven	
± 2,0		SECTIONAL SIZE		Toris Products	
Angles ± 1°		OUTLINE SIZE		Belgium	
FIRST ANGLE PRODUCTION		SECTIONAL SIZE		All rights to manufacture, copy, reproduce or dispose of this writing or its contents are reserved unless otherwise specified in writing by donaldson europe.	



B - 3001 Leuven  
Toris Products  
Belgium